

ASC/DSC Self Aligning Accessories



FEATURES

- Capacities: 30 - 50t
- Hardened components at all bearing surfaces
- Self-aligning construction
- Stainless steel

DESCRIPTION

The ASC and DSC Self Aligning Set, provides weighing assemblies suitable for truck scale, rail scale and process weighing applications.

The Self Aligning Set is specially designed to be used in weighbridges without stay or check rods. Eccentric washers are used to ensure

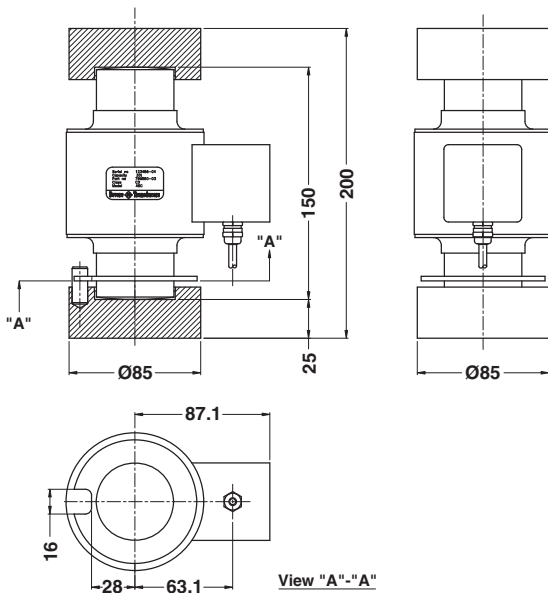
that the load cell is placed in a vertical position, and perpendicular to its mounting surfaces.

Long-term reliability is assured through the use of hardened corrosion resistive steel on all mount parts.

APPLICATIONS

- Truck and rail scale applications
- Silo and weighbridge applications

OUTLINE DIMENSIONS in millimeters



Mount	Assembly guidelines	P/N
Self Aligning Set	02/03-110/01	799863-00
Set of 3 eccentric washers		499125-00

VISHAY TRANSDUCERS (VT) SALES OFFICES

VT Americas
City of Industry, CA
PH: +1-626-858-8899
FAX: +1-626-332-3418
vt.us@vishaymg.com

VT Netherlands
Breda
PH: +31-76-548-0700
FAX: +31-76-541-2854
vt.nl@vishaymg.com

VMG UK
Basingstoke
PH: +44-125-646-2131
FAX: +44-125-647-1441
vt.uk@vishaymg.com

VMG Israel
Netanya
PH: +972-9-863-8888
FAX: +972-9-863-8800
vt.il@vishaymg.com

VMG Germany
Heilbronn
PH: +49-7131-3901-260
FAX: +49-7131-3901-2666
vt.de@vishaymg.com

VT China
Tianjin
PH: +86-22-2835-3503
FAX: +86-22-2835-7261
vt.prc@vishaymg.com

VMG France
Chartres
PH: +33-2-37-33-31-20
FAX: +33-2-37-33-31-29
vt.fr@vishaymg.com

VT Taiwan*
Taipei
PH: +886-2-2696-0168
FAX: +886-2-2696-4965
vt.roc@vishaymg.com
*Asia except China