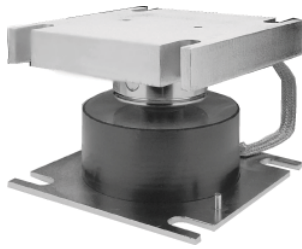




# Model 220-30-50T Weighbridge Mount

Vishay Tedea-Huntleigh

## Mount For Weighbridge Mount/Truck Scales



### FEATURES

- For use on steel or concrete weighbridges
- Above ground or pit mounted
- Composite rubber and plated steel construction
- Low profile
- Simple installation
- Shock resistance

### DESCRIPTION

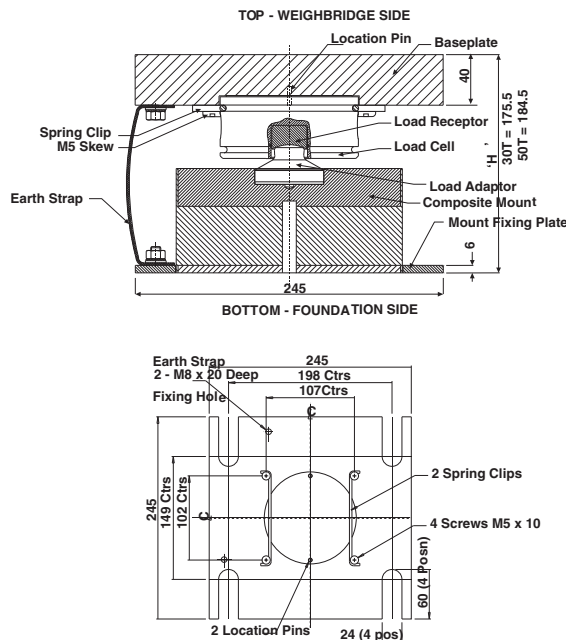
Model 220 is ideally suited for use in steel or concrete weighbridge applications. When used in conjunction with the composite mount it forms a compact assembly which is rugged and tolerant of heavy treatment.

The mount assembly allows free motion in any direction in the horizontal plane at the same time as supplying

restoring moment (return to centre motion) and retaining low vertical deflection. It supplies the required rigidity whilst retaining shock absorption capability. It exhibits low effects to changes of temperature and allows for thermal expansion of the bridge structure.

The complicated arrangements that often accompany conventional installations of load cell mountings are avoided. Vishay Tedea-Huntleigh's system for truck scales can be installed in a matter of a few hours instead of more than one day.

### OUTLINE DIMENSIONS in millimeters



The two mounting kits are:

MTS-COMP-30T  
MTS-COMP-50T

Comprising composite mount, load adaptor, mount fixing plate, earth strap, nut and washers. Packed weight; 12.5kg.

MTS-BASEKIT-50T-CS  
MTS-BASEKIT-30T

Comprising baseplate, location pins x 2, spring clips x 2, M5 screws x 4, screw & washers for earth strap. Packed weight; 18kg

1. To ensure safe use of the weighbridge mount; Restraints should be fitted between the weighbridge deck and foundation.
2. Vishay Tedea-Huntleigh cannot accept responsibility for the improper installation of the weighbridge mount.
3. Because of the weight of the base plate and consequent freight costs, customers might wish to machine it locally. Manufacturing details of this simple plate are available free of charge on request.
4. A separate kit of spring clips, location pins and screw is available (MTS-CLIPKIT-50T).
5. An alternative weighbridge mount is available for use with the 220 load cell. Details of the Rocker Pin (MTS-ROCKER-50T) are available upon request.

**Vishay Tedea-Huntleigh provide installation details separately, please refer to Technical Support Document, TSD.0007**

### VISHAY TRANSDUCERS (VT) SALES OFFICES

**VT Americas**  
City of Industry, CA  
PH: +1-626-858-8899  
FAX: +1-626-332-3418  
vt.us@vishaymg.com

**VT Netherlands**  
Breda  
PH: +31-76-548-0700  
FAX: +31-76-541-2854  
vt.nl@vishaymg.com

**VMG UK**  
Basingstoke  
PH: +44-125-646-2131  
FAX: +44-125-647-1441  
vt.uk@vishaymg.com

**VMG Israel**  
Netanya  
PH: +972-9-863-8888  
FAX: +972-9-863-8800  
vt.il@vishaymg.com

**VMG Germany**  
Heilbronn  
PH: +49-7131-3901-260  
FAX: +49-7131-3901-2666  
vt.de@vishaymg.com

**VT China**  
Tianjin  
PH: +86-22-2835-3503  
FAX: +86-22-2835-7261  
vt.prc@vishaymg.com

**VMG France**  
Chartres  
PH: +33-2-37-33-31-20  
FAX: +33-2-37-33-31-29  
vt.fr@vishaymg.com

**VT Taiwan\***  
Taipei  
PH: +886-2-2696-0168  
FAX: +886-2-2696-4965  
vt.roc@vishaymg.com  
\*Asia except China



### Regional Distributor

803, Riqqa Palace Building, Al-Maktum Ave. P.O.Box 181802 Dubai, UAE  
Tel.: +97 14 2270081 Fax: +97 14 2239962 rcsco@eim.ae www.rcs-co.com



## Notice

Specifications of the products displayed herein are subject to change without notice. Vishay Intertechnology, Inc., or anyone on its behalf, assumes no responsibility or liability for any errors or inaccuracies.

Information contained herein is intended to provide a product description only. No license, express or implied, by estoppel or otherwise, to any intellectual property rights is granted by this document. Except as provided in Vishay's terms and conditions of sale for such products, Vishay assumes no liability whatsoever, and disclaims any express or implied warranty, relating to sale and/or use of Vishay products including liability or warranties relating to fitness for a particular purpose, merchantability, or infringement of any patent, copyright, or other intellectual property right.

The products shown herein are not designed for use in medical, life-saving, or life-sustaining applications. Customers using or selling these products for use in such applications do so at their own risk and agree to fully indemnify Vishay for any damages resulting from such improper use or sale.