

Hermetically Sealed Single-Ended Beam



FEATURES

- Capacities: 1K, 2K, 2.5K, 3K, 4K, 5K, and 10Klb
- High side-load tolerance
- Easy installation
- Electroless nickel-plated-alloy tool steel or stainless steel
- SQB-H(HSS) hermetically sealed stainless steel
- NTEP III 5000M approval 1K to 10Klb

OPTIONAL FEATURE

- FM approval available

DESCRIPTION

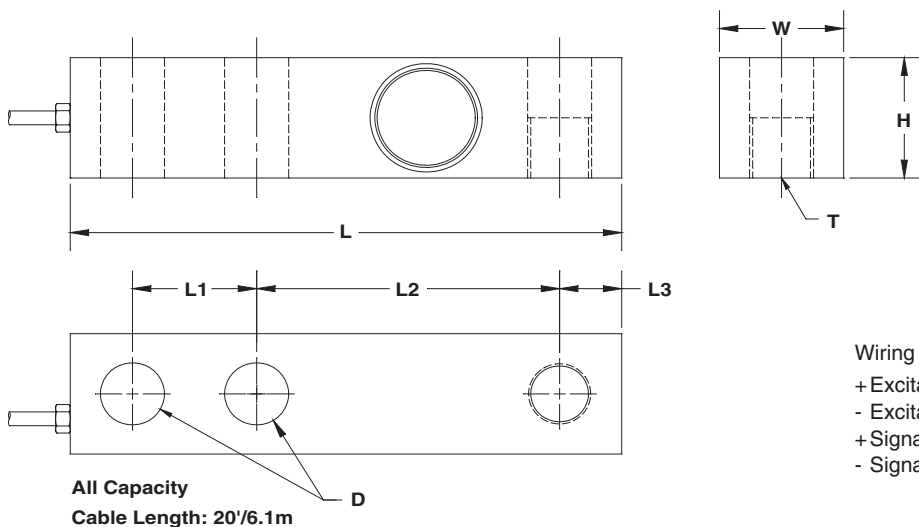
SQB-H(HSS) is a single-ended shear beam load cell designed for multiple cell applications such as low profile platform or small tank scales when used with proper mounting accessories. It is insensitive to side loading and capable of reversed loading. SQB-H(HSS) is constructed of stainless steel and is hermetically sealed to

IP68 providing excellent protection against corrosive and washdown environments.

APPLICATIONS

- Truck/ Rail scales
- Silo/ Hopper/Tank weighing
- Platform scales (multiple load cells)
- Pallet truck scales
- Packaging machines

OUTLINE DIMENSIONS



| CAPACITY | | L | L1 | L2 | L3 | W | H | D | T |
|----------------------------|--------|-------|------|------|------|------|------|------|-----------|
| 1K / 2K / 2.5K / 3K / 4Klb | mm | 130.0 | 25.4 | 76.2 | 12.7 | 31.0 | 31.0 | 13.5 | ---- |
| | (inch) | 5.12 | 1.00 | 3.00 | 0.50 | 1.22 | 1.22 | 0.53 | 1/2-20UNF |
| 5K / 10Klb | mm | 171.5 | 38.1 | 95.3 | 19.0 | 38.1 | 38.1 | 19.8 | ---- |
| | (inch) | 6.75 | 1.50 | 3.75 | 0.75 | 1.50 | 1.50 | 0.78 | 3/4-16UNF |



SPECIFICATIONS

| PARAMETER | VALUE | | UNIT |
|---|-------------------------------------|------------------|-----------------------|
| | NTEP III | Non-Approved | |
| NTEP/OIML Accuracy class | | | |
| Maximum no. of intervals (n) | 3000 single 5000 multiple | 1000 | |
| $Y = E_{max}/V_{min}$ | 10000 | 5000 | Maximum available |
| Standard capacities (E_{max}) | 1K, 2K, 2.5K, 3K, 4K, 5KSE, 5K, 10K | | lbs |
| Rated output-R.O. | 3.0 | | mV/V |
| Rated output tolerance | 0.25 | | ±% of rated output |
| Zero balance | 1 | | ±% of rated output |
| Non linearity | 0.025 | 0.030 (SS: 0.05) | ±% of rated output |
| Hysteresis | 0.025 | 0.030 (SS: 0.05) | ±% of rated output |
| Non-repeatability | 0.020 | 0.020 | ±% of rated output |
| Creep error (20 minutes) | 0.025 | 0.030 | ±% of rated output |
| Zero return (20 minutes) | 0.025 | 0.030 | ±% of rated output |
| Temperature effect on min. dead load output | 0.0017 | 0.0026 | ±% of rated output/°C |
| Temperature effect on sensitivity | 0.0010 | 0.0015 | ±% of applied load/°C |
| Compensated temperature range | -10 to +40 | | °C |
| Operating temperature range | -20 to +60 | | °C |
| Safe overload | 150 | | % of R.C. |
| Ultimate overload | 300 | | % of R.C. |
| Excitation, recommended | 10 | | Vdc or Vac rms |
| Excitation, maximum | 15 | | Vdc or Vac rms |
| Input impedance | 385±5 | | Ohms |
| Output impedance | 350±3 | | Ohms |
| Insulation resistance | >5000 | | Mega-Ohms |
| Construction | Nickel plated alloy steel* | | |
| Environmental protection | IP68 | | |

* Stainless steel available

All specifications listed subject to change without notice.

FM Approval

Intrinsically Safe: Class I, II, III; Div. 1 Groups A-G

Non-Incendive: Class I; Div. 2 Groups A-D

VISHAY TRANSDUCERS (VT) SALES OFFICES

VT Americas
City of Industry, CA
PH: +1-626-858-8899
FAX: +1-626-332-3418
vt.us@vishaymg.com

VT Netherlands
Breda
PH: +31-76-548-0700
FAX: +31-76-541-2854
vt.nl@vishaymg.com

VMG UK
Basingstoke
PH: +44-125-646-2131
FAX: +44-125-647-1441
vt.uk@vishaymg.com

VMG Israel
Netanya
PH: +972-9-863-8888
FAX: +972-9-863-8800
vt.il@vishaymg.com

VMG Germany
Heilbronn
PH: +49-7131-3901-260
FAX: +49-7131-3901-2666
vt.de@vishaymg.com

VT China
Tianjin
PH: +86-22-2835-3503
FAX: +86-22-2835-7261
vt.prc@vishaymg.com

VMG France
Chartres
PH: +33-2-37-33-31-20
FAX: +33-2-37-33-31-29
vt.fr@vishaymg.com

VT Taiwan*
Taipei
PH: +886-2-2696-0168
FAX: +886-2-2696-4965
vt.roc@vishaymg.com
*Asia except China



Notice

Specifications of the products displayed herein are subject to change without notice. Vishay Intertechnology, Inc., or anyone on its behalf, assumes no responsibility or liability for any errors or inaccuracies.

Information contained herein is intended to provide a product description only. No license, express or implied, by estoppel or otherwise, to any intellectual property rights is granted by this document. Except as provided in Vishay's terms and conditions of sale for such products, Vishay assumes no liability whatsoever, and disclaims any express or implied warranty, relating to sale and/or use of Vishay products including liability or warranties relating to fitness for a particular purpose, merchantability, or infringement of any patent, copyright, or other intellectual property right.

The products shown herein are not designed for use in medical, life-saving, or life-sustaining applications. Customers using or selling these products for use in such applications do so at their own risk and agree to fully indemnify Vishay for any damages resulting from such improper use or sale.