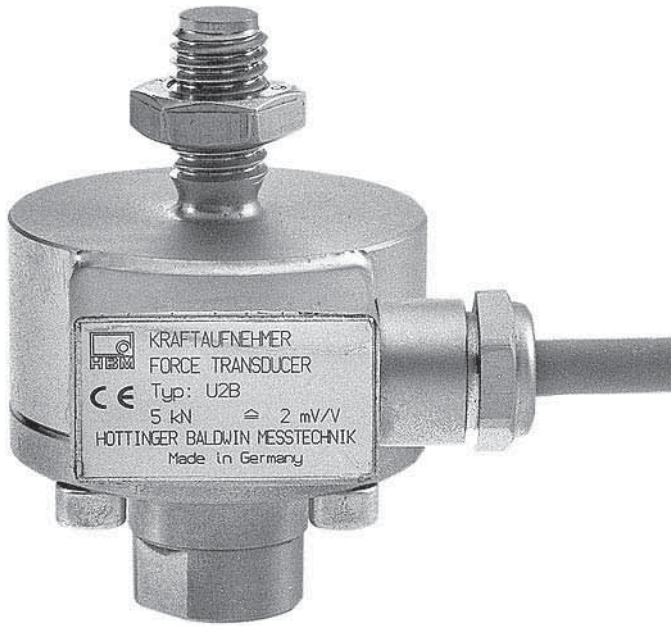


U2B

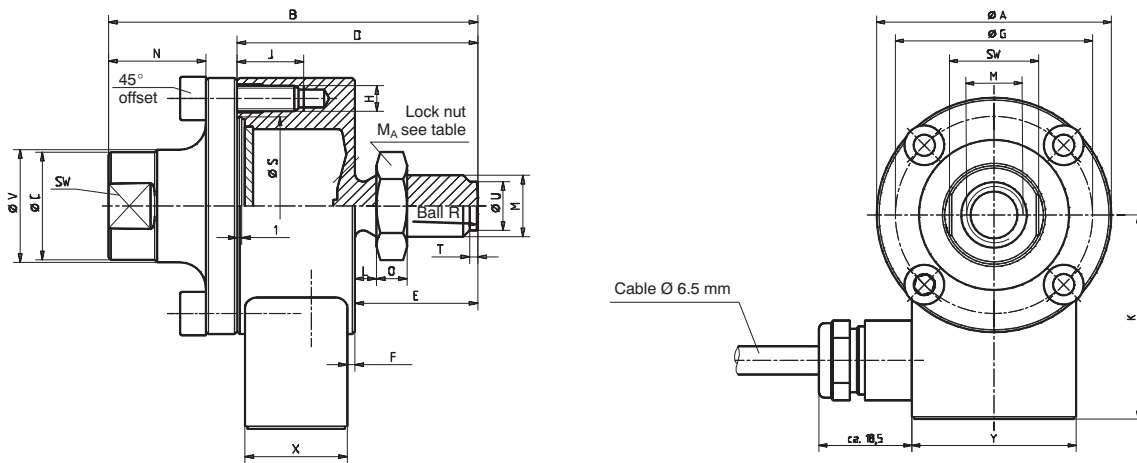
Force Transducer



Special features

- Tensile / compressive force transducer made from stainless materials
- Nominal forces 500 N ... 200 kN
- Integrated lateral force compensation
- Low overall height

Dimensions (in mm; 1 mm= 0.03937 inches)



Rated force	$\varnothing A_{-0.2}$	B	$\varnothing C$	D	E	F	$\varnothing G$	H	J	K	L	M	N	O	$\varnothing S_{H^8}$	SW	T	$\varnothing U$	$\varnothing V$	X	Y	M_A (N-m)	Ball R
0.5-5 kN	50	72	21	47	24	1.5	42	4xM5	13	43.5	4.2	M12	19	6	34	19	1.6	9.5	22	20	35	60	60
10 kN											7.6												
20 kN	90	112	33	72	38	2	70	4xM10	20.5	63.5	10.6	M20x1.5	15	10	55	30	2	17	34	30	50	300	100
50 kN	100	141	40	86	47	6	78	4xM12	19	68	13.2	M24x2	20	12	61	36		20	42			500	
100 kN	135	197	68	122	67	17	105	8xM12	16	85.5	19	M39x2	29	19	79	60	2.2	36	70	30	50	2500	160
200 kN	155	232	82	142	85	19	125	8xM16	26	95.5	24.2	M48x2	32	22	97	70		43	84			4500	

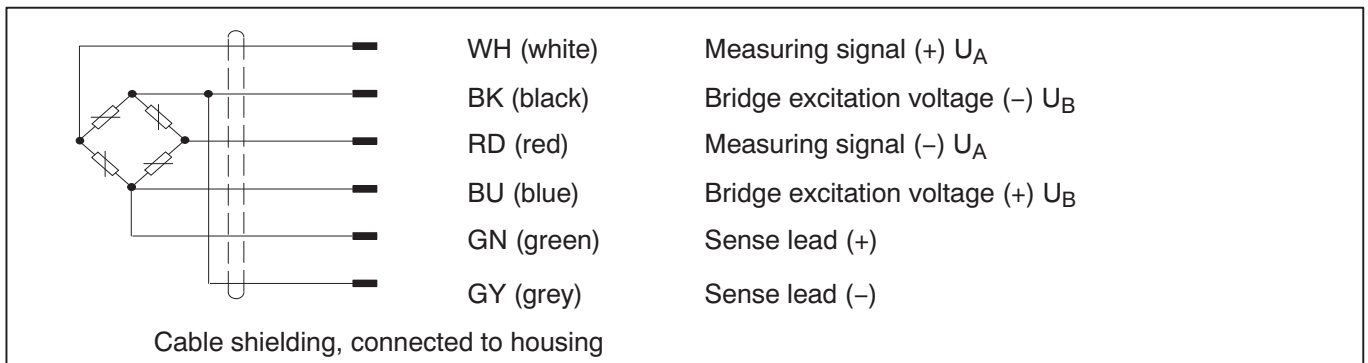
Specifications

Force transducer type		U2B									
Rated force	F_{nom}	kN	0.5	1	2	5	10	20	50	100	200
Class of accuracy			0.2	0.1							
Rated sensitivity	C_{nom}	mV/V	2								
rel. tensile/compressive sensitivity variance	d_c	%	<0.2/1.5			<0.2/0.5					
rel. zero signal variance	$d_{s,0}$	%	<1								
Hysteresis error (0.5 F_{nom})	u	%	<0.2			<0.15					
Linearity variation	d_{lin}	%	<0.2			<0.1					
Influence of temperature on sensitivity/10 K relative to nominal sensitivity	TK_C	%	0.1								
Influence of temperature on the zero signal/10 K relative to nominal sensitivity	TK_0	%	0.05								
Influence of eccentricity (1 mm)	d_E	%	0.05								
Influence of lateral force (lateral force 10 % F_{nom}) ¹⁾	d_Q	%	0.1								
Rel. creep over 30 min	d_{crF+E}	%	<± 0.06								
Input resistance	R_i	Ω	>345								
Output resistance	R_o	Ω	300...400								
Insulation resistance	R_{is}	Ω	>2·10 ⁹								
Reference excitation voltage	U_{ref}	V	5								
Service range of excitation voltage	$B_{U,G,T}$	V	0.5...12								
Rated temperature range	$B_{t,nom}$	°C	-10...+70								
Service temperature range	$B_{t,G}$	°C	-30...+85 (120) ³⁾								
Storage temperature range	$B_{t,S}$	°C	-50...+85								
Reference temperature	t_{ref}	°C	+23								
Max. operating force	(F_G)	%	130	150							
Breaking force	(F_B)	%	>300								
Static lateral force limit ¹⁾	(F_Q)	%	25								
Nominal displacement	S_{nom}	mm	<0.1			<0.07			<0.09		
Fundamental resonance frequency	f_G	kHz	4	6	8.7	14	17.5	8	8.5	6	5.6
Weight		kg	0.8			2.9			4.3		
Rel. permissible vibration loading	F_{rb}	%	100	160							
Protection system according to DIN EN 60529	-	-	IP67								
Length of cable, 6-wire connection	-	-	3 m				6 m		12 m		

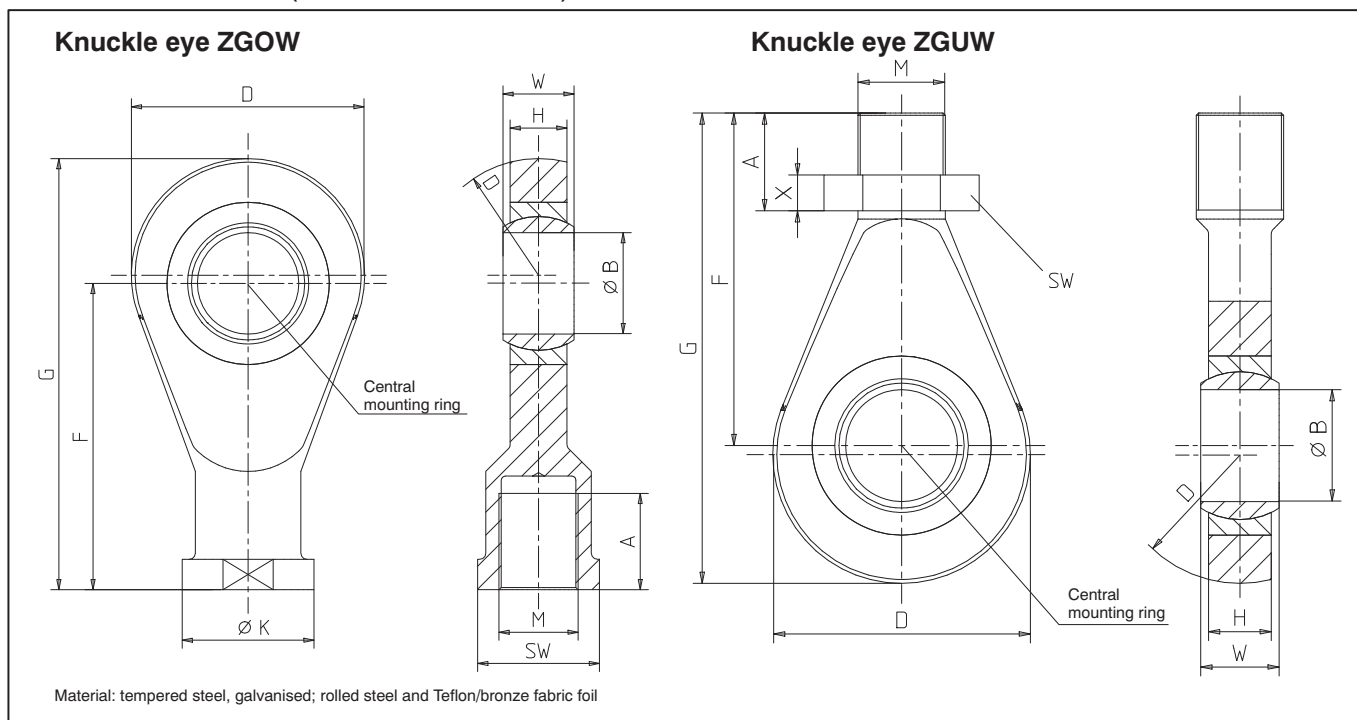
¹⁾ relative to a force introduction 20 mm over the membrane

³⁾ Class 120 °C version optional. The technical data in the extended service temperature range may differ from the data mentioned above. The 120 °C version cannot be used for zero-related long-term measurements.

Cable wiring assignment (six wire connection)



Aid to installation (dimensions in mm)

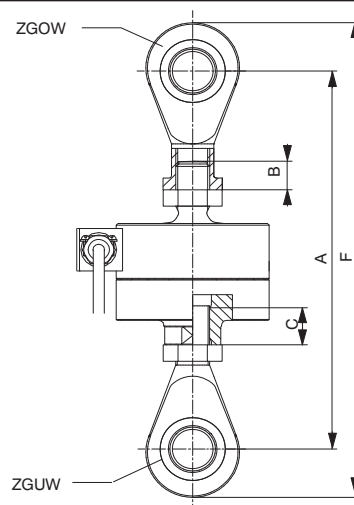


Rated force in kN	Order No. Knuckle eye ZGOW	Weight in kg	A	ØB	D	F	G	H	ØK	M	SW	W
0.5...10	1-U2A/1t/ZGOW	0.2	22	12 ^{H7}	32	50	66	12	22	M12	19	16
20	1-U2A/2t/ZGOW	0.5	33	20 ^{H7}	50	77	102	18	34	M20x1.5	32	25
50	1-U2A/5t/ZGOW	0.8	42	25 ^{H7}	60	94	124	22	42	M24x2	36	31
100	1-U2A/10t/ZGOW	3.2	50	50 ^{+0.002 -0.014}	115	151	212.5	28	65	M39x2	60	35
200	1-U2A/20t/ZGOW	4.8	60	60 ^{+0.003 -0.018}	126	167	235	36	82	M48x2	70	44

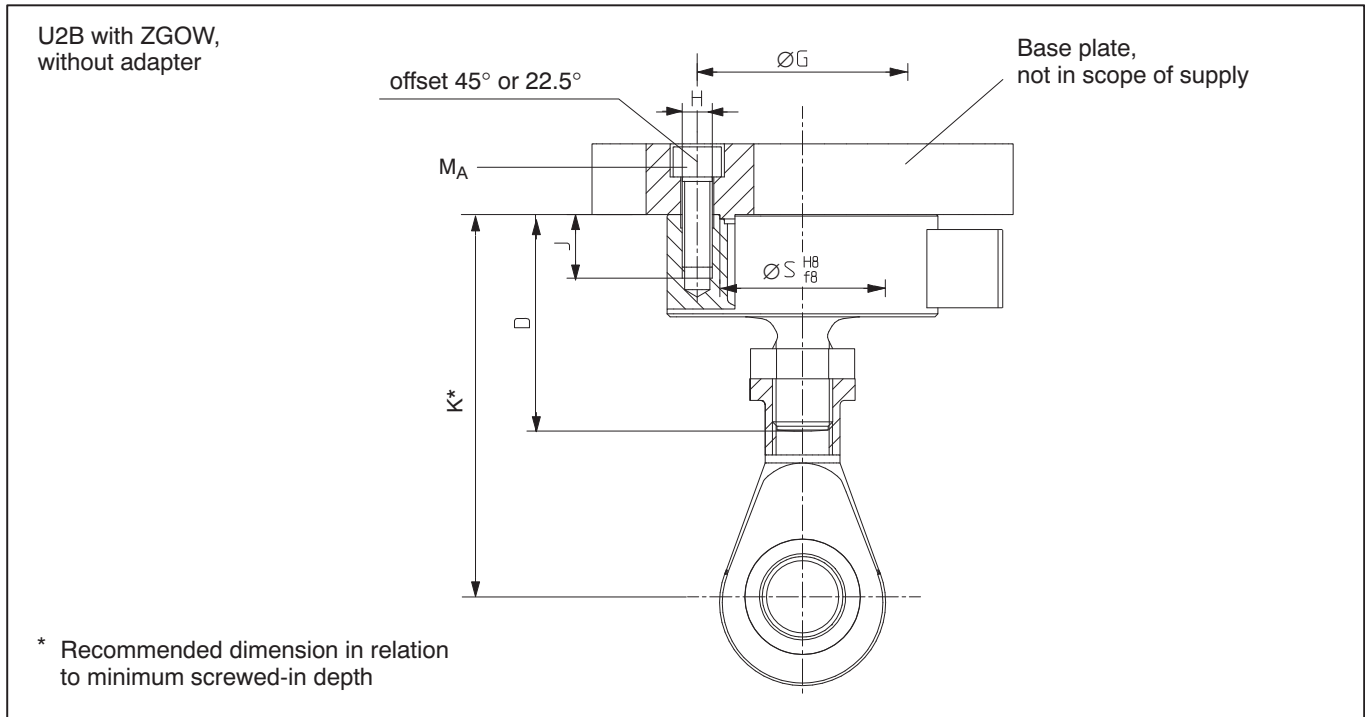
Rated force in kN	Order No. Knuckle eye ZGUW	Weight in kg	A	ØB	D	F	G	H	M	SW	W	X
0.5...10	1-U2A/1t/ZGUW	0.1	33	12 ^{H7}	32	54.5	70.5	12	M12	19	16	7
20	1-U2A/2t/ZGUW	0.2	47	20 ^{H7}	50	79.8	104.8	18	M20x1.5	30	25	9
50	1-U2A/5t/ZGUW	0.4	54	25 ^{H7}	60	94.5	124.5	22	M24x2	36	31	10
100	1-U2A/10t/ZGUW	1.1	65.5	50 ^{+0.002 -0.014}	115	148.5	210	28	M39x2	60	35	16
200	1-U2A/20t/ZGUW	3.2	80	60 ^{+0.003 -0.018}	126	168	236	36	M48x2	75	44	18

U2B force transducer complete with knuckle eyes ZGOW, ZGUW

Rated force in [kN]	A _{min}	A _{max}	F _{min}	F _{max}	Minimum screwed-in depth		Maximum screwed-in depth
					b	c	
0.5...10	139	156	171	188	9.6	9.6	25
20	212	234	262	284	16	16	40
50	260	288	320	348	19.2	19.2	55
100	418	436	541	559	27	31.2	75
200	466	489	602	625	36.6	38.4	90



Mounting accessories, continued (dimensions in mm)



Rated force in kN	D	ØG	H	J	K	ØS	MA ¹⁾ [N·m]
0.5...10	47	42	4xM5	13	84...86.4	34	5
20	72	70	4xM10	20.5	131.6	55	35
50	86	78	4xM12	19	158.2	61	60
100	122	105	8xM12	16	244	79	60
200	142	125	8xM16	26	270.2	97	150

¹⁾ Recommended values when using a torque wrench on dry thread

Options

- Service temperature range updated to 120 °C

Accessories, additional:

- Knuckle eye U2B, upper, U2A/.../ZGOW
- Knuckle eye U2B, lower, U2A/.../ZGUW

Regional Distributor

RS
Rabbit Control Systems
Automation & Control Engineering

803, Riqqa Palace Building
Al-Maktum Ave.
P.O.Box 181802 Dubai, UAE
Tel: +9714 - 2270081
Fax: +9714 - 2239962
E-mail: rcsco@eim.ae
www.rcs-co.com

Hottinger Baldwin Messtechnik GmbH

Im Tiefen See 45, D-64293 Darmstadt, Germany
Tel.: +49 6151 8030; Fax: +49 6151 803 9100
E-mail: support@hbm.com www.hbm.com



measurement with confidence